

# Electrolux Cold Rooms

## -10/-21° - 3,1/6,1 m<sup>3</sup>

Electrolux cold rooms are available in a vast range of different sizes and functionalities. They are designed to work in tropical temperatures (+43°C). The range consists of coolers (-2/+8°C) with panels 60 mm in thickness, freezers cold rooms (-10/-21°C) with panels 100 mm in thickness and with built-in or remote refrigerating unit. The five models detailed on this sheet are freezer cold rooms with a usable volume of 3,1 to 6,1 cubic meters. Models come with panels and gas pre-charged cooling unit.



Shelving as accessory

### CONSTRUCTION

- Very short assembly time. Expert refrigeration knowledge is not required for installation.
- New vacuum injection technology which permits to have significant enhancement on the performances of the panels and high quality.
- Panels are clad inside and outside with anti-scratch prepainted galvanized steel. Polyurethane foam insulation. CFC and HCFC free.
- Rounded internal and external corners. All edges are radiused.
- Anti-slip walk-in floor in.
- The fast-fit centering system allows perfect alignment of the panels. These new fasteners are made of high resistant composite materials and guarantee perfect grip of all components.
- Airtight panels connection. All sides of panels have PVC gasket foamed in place to assure airtight and secure fitting. Any other sealing between panels on site is eliminated.

- The refrigeration unit is mounted on a modular panel for easy installation and quick set-up of the cold room. All the refrigeration units are tropicalized (+43°C) and use R404A refrigerant and are supplied with a high/low temperature alarm.
- If the floor on which the cold rooms will be installed presents irregularities or unevenness up to 1 cm, then the surface of the floor should be levelled.

### PERFORMANCES

- Defrosting through heated gas with re-evaporation of defrosting water permits to reduce the total power installed, shorten defrosting time and limit the warming of the cold room.
- All models are equipped with internal lighting (waterproof IP54) mounted on the refrigerating unit panel.

- The control panel includes: luminous ON/OFF switch, internal lighting switch, cold room functioning indicator, defrost cycle indicator, temperature and thermostat control with digital display.
- The right-hinged door is available as standard (left-hinged door on request) and constructed with smooth rounded profiles, airtight magnetic gasket and high insulation thus allowing to reduce energy and operating costs.
- Newly designed handle complete with lock and interior safety release to prevent entrapment when the door is accidentally locked from outside.
- HACCP monitoring is possible through a serial port supplied on all models.
- Conform to ruling European safety and hygiene standards and CE marked.



**Electrolux**

**Electrolux Cold Rooms**  
**-10/-21° - 3,1/6,1 m³**

HFBA060

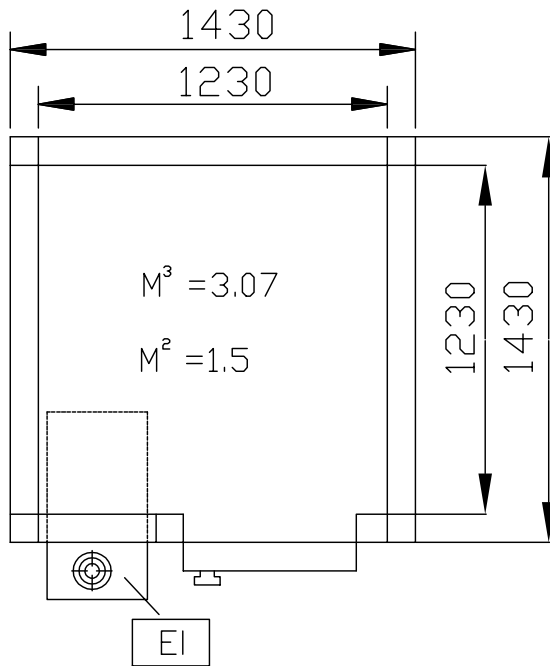
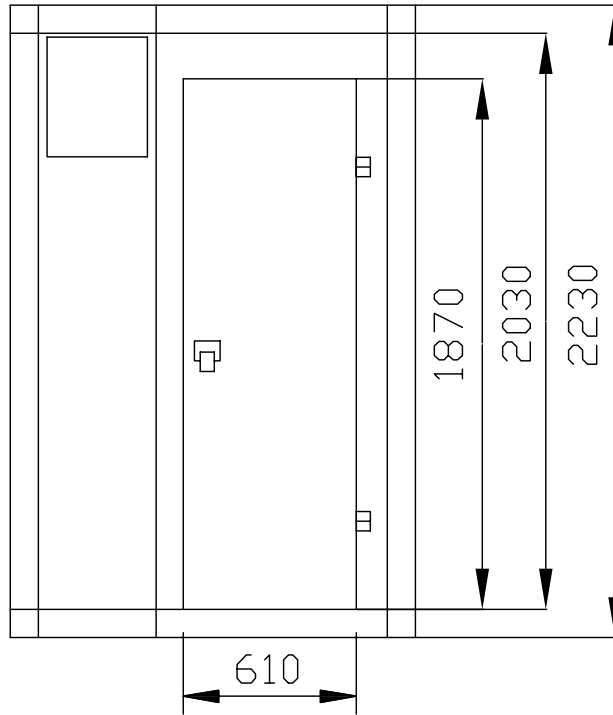
2013-10-03

	CR12F031S 102029	CR16F041S 102285	CR16F054S 102286	CR20F051S 102290	CR24F061S 102295
<b>TEHNILISED ANDMED</b>					
Välismõõtmed -mm/laius	1430	1830	1830	2230	2630
Välismõõtmed -mm/sügavus	1430	1430	1830	1430	1430
Välismõõtmed -mm/kõrgus	2230	2230	2230	2230	2230
Kompressori võimsus - hp	1	1.2	1.7	1.7	1.7
Elektrivõimsus - kW	1.15	1.15	1.15	1.4	1.4
Netokaal - kg	350	304	351	336	359
Pinge	220/230 V, 1N, 50	230 V, 1N, 50	230 V, 1N, 50	230 V, 1N, 50	230 V, 1N, 50
Usable surface area - m²		2,00	2,66	2,50	2,99
Usable volume - m³.		4,1	5,4	5,1	6,1
<b>LISAVARUSTUS</b>					
*NOT TRANSLATED*	102030	102030	102030	102030	102030
ALUM.RIIULID-POLY-KÜLMKAMBRITELE 123X123	137108				
ALUM.RIIULID-POLY-KÜLMKAMBRITELE 163X123		137090			
ALUM.RIIULID-POLY-KÜLMKAMBRITELE 163X163			137091		
ALUM.RIIULID-POLY-KÜLMKAMBRITELE 203X123				137095	
ALUM.RIIULID-POLY-KÜLMKAMBRITELE 243X123					137100
KÜLMRUUMIDE HACCP KOMPLEKT	102021	102021	102021	102021	102021
PLASTKARDIN 65CM UKSE PIILUVALE	102027	102027	102027	102027	102027
PRINTER HACCP BASIC VERSIOONIGA KÜLMIK.		881457	881457	881457	881457
UKSE MIKROLÜLITI		102441	102441	102441	102441

Võib muutuuda ilma etteavutamata

Electrolux Cold Rooms  
 -10/-21° - 3,1/6,1 m<sup>3</sup>

102029



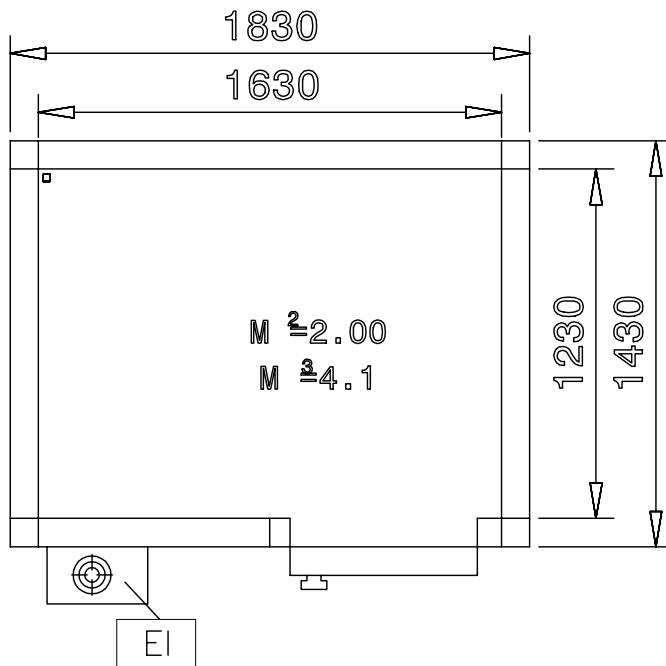
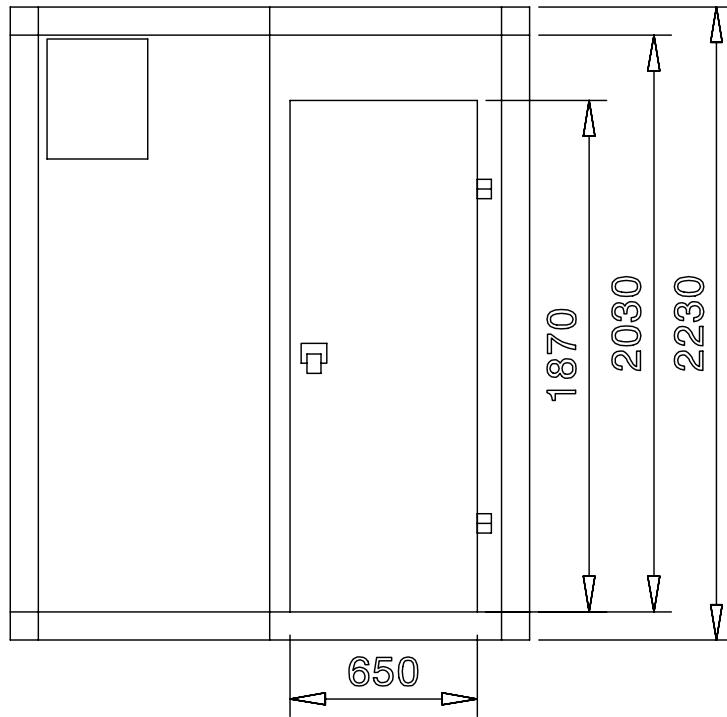
PAIGALDUSJONIS EI - Elektriühendus	CR12F031S 102029
	220/230 V, 1N, 50

HFBA060

2013-10-03

Electrolux Cold Rooms  
 -10/-21° - 3,1/6,1 m³

102285



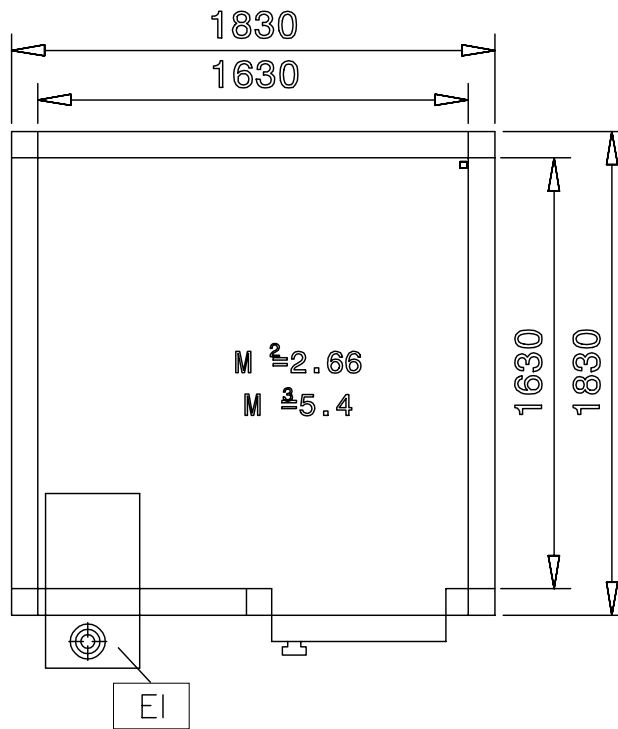
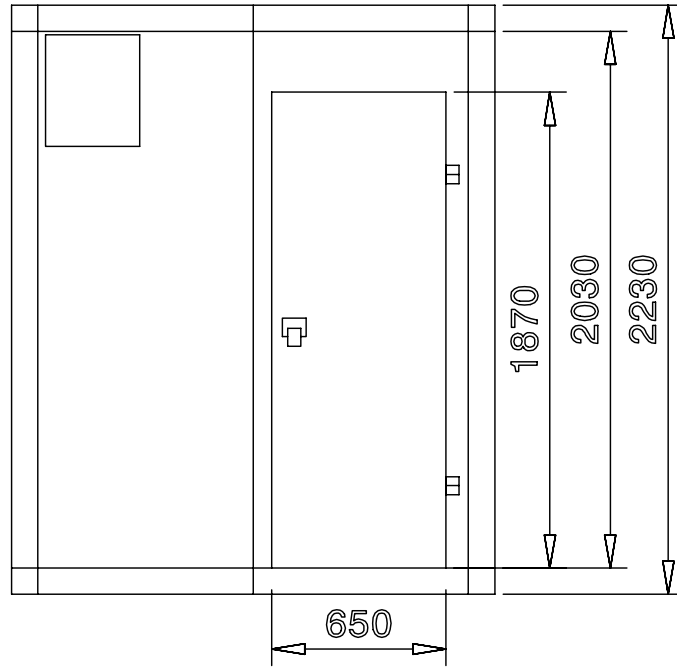
PAIGALDUSJONIS EI - Elektriühendus	CR16F041S 102285
	230 V, 1N, 50

HFBA060

2013-10-03

Electrolux Cold Rooms  
 -10/-21° - 3,1/6,1 m³

102286



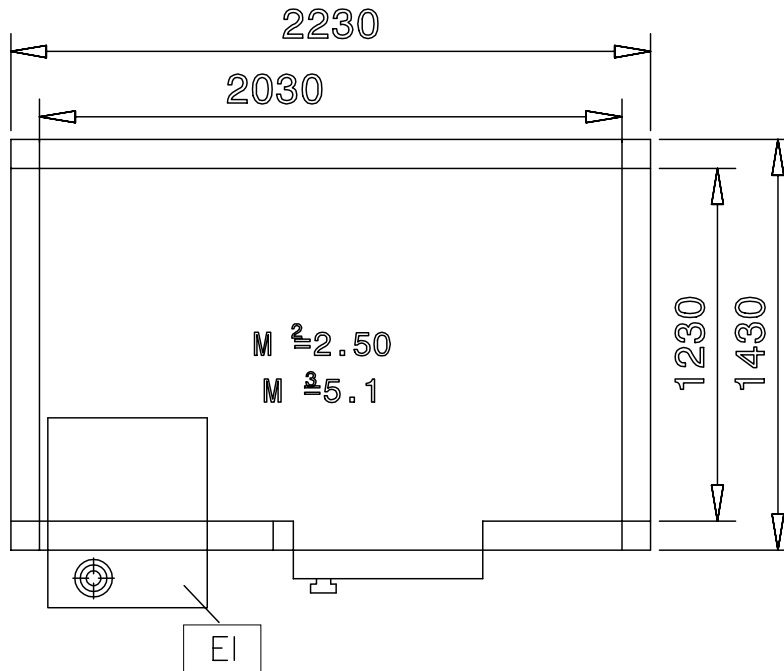
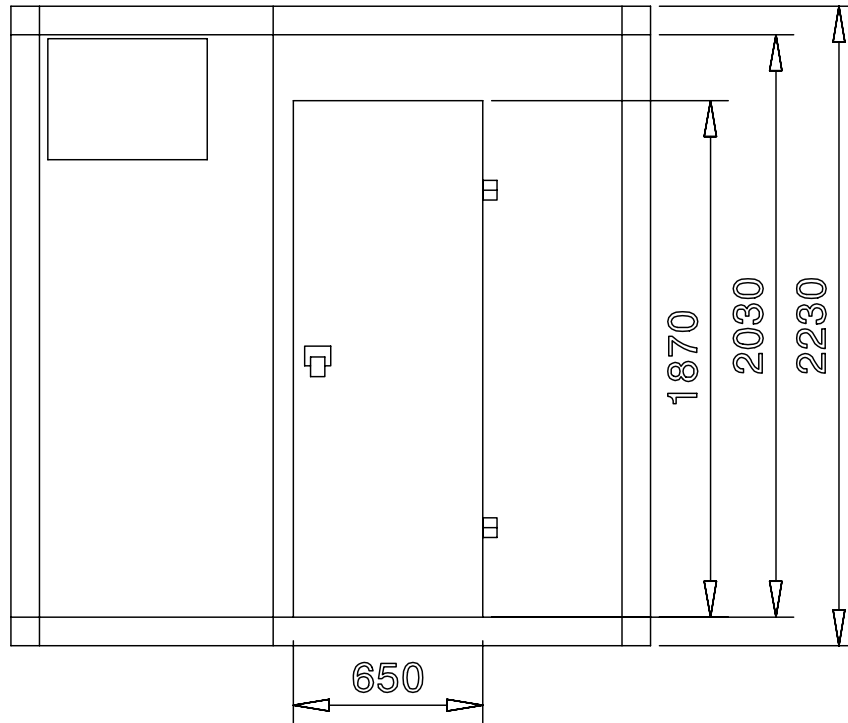
PAIGALDUSJONIS EI - Elektriühendus	CR16F054S 102286
	230 V, 1N, 50

HFBA060

2013-10-03

Electrolux Cold Rooms  
 -10/-21° - 3,1/6,1 m³

102290



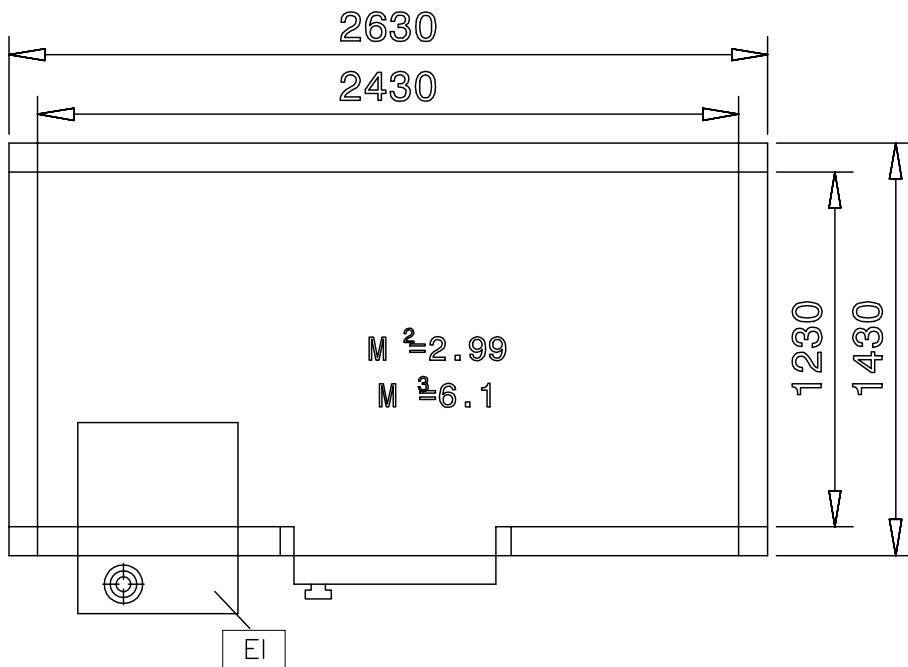
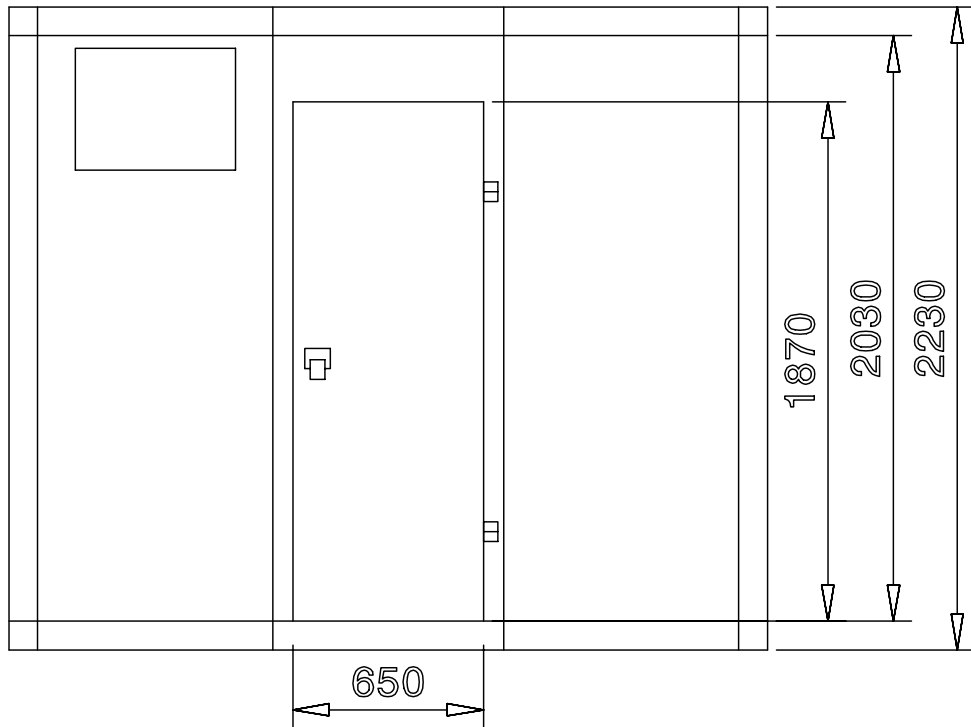
PAIGALDUSJONIS EI - Elektriühendus	CR20F051S 102290
	230 V, 1N, 50

HFBA060

2013-10-03

Electrolux Cold Rooms  
 -10/-21° - 3,1/6,1 m<sup>3</sup>

102295



PAIGALDUSJONIS EI - Elektriühendus	CR24F061S 102295
	230 V, 1N, 50

HFBA060

2013-10-03