



Accessories Stainless Steel 60lt Mobile Bid with Lid

ITEM # _____

MODEL # _____

NAME # _____

SIS # _____

AIA # _____



120131 (TRB6)

Stainless steel 60-lt mobile bin with lid

Short Form Specification

Item No. _____

Manufactured in 304 AISI stainless steel. Fitted with 2 handles. Removable lid with handle.

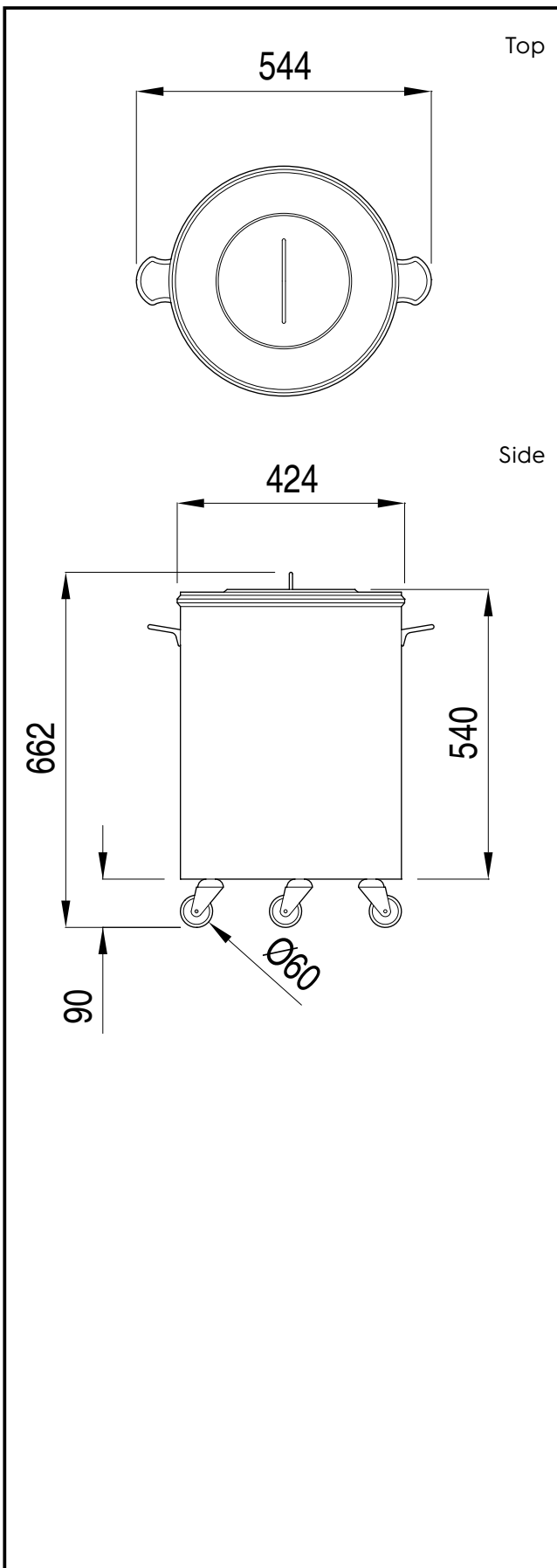
Main Features

- Removable lid with two handles to facilitate the operations.

Construction

- Constructed entirely in 304 AISI stainless steel.
- Developed and produced in ISO 9001 and ISO 14001 certified factory.

APPROVAL: _____



Key Information:

External dimensions, Width:	
120131 (TRB6)	450 mm
External dimensions, Height:	640 mm
External dimensions, Depth:	450 mm