



# Electrolux

## Standard Preparation 1800 mm Work Table with Upstand - Right Bowl

ITEM # \_\_\_\_\_

MODEL # \_\_\_\_\_

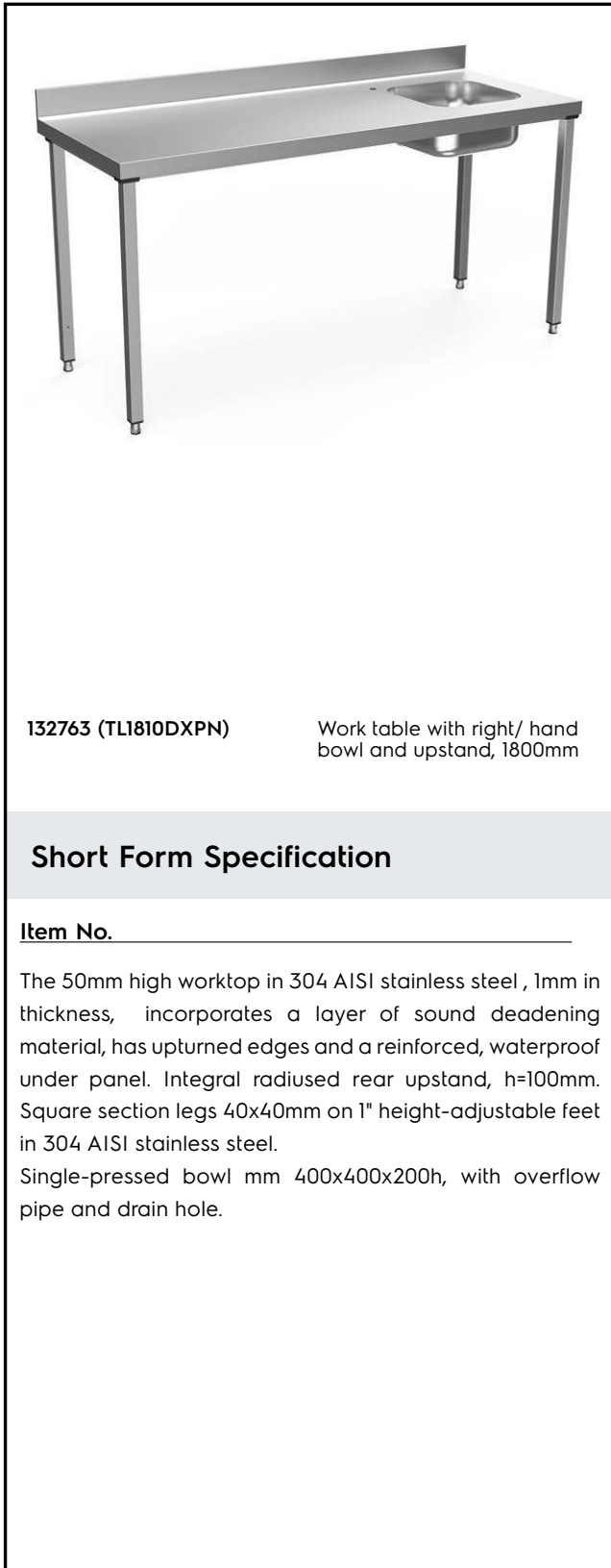
NAME # \_\_\_\_\_

SIS # \_\_\_\_\_

AIA # \_\_\_\_\_



Electrolux



132763 (TL1810DXPN)

Work table with right/ hand bowl and upstand, 1800mm

### Short Form Specification

**Item No.** \_\_\_\_\_

The 50mm high worktop in 304 AISI stainless steel, 1mm in thickness, incorporates a layer of sound deadening material, has upturned edges and a reinforced, waterproof under panel. Integral radiused rear upstand, h=100mm. Square section legs 40x40mm on 1" height-adjustable feet in 304 AISI stainless steel.

Single-pressed bowl mm 400x400x200h, with overflow pipe and drain hole.

### Main Features

- The table can be ordered with the drawer of 400 mm or 600 mm (optional accessory): thanks to the design of the drawer, additional drawers can be added to the first single drawer to create chest of 2, 3 or 4 drawers based on customer's needs.
- Sturdiness, stability and reliability of table accurately tested.

### Construction

- 50 mm worktop in 304 AISI stainless steel, 10/10 in thickness with upturned edges and reinforced waterproof underpanel, incorporates a layer of sound deadening materials.
- Square section legs and 40 mm height-adjustable feet in 304 AISI stainless steel.
- Single-pressed bowl (400 x 400 x 200 mm) with overflow pipe and drain hole.
- Table top slots into legs without using screws to facilitate installation.
- 400 or 600 mm wide single drawer, chest of 4 drawers, lower shelf, three-sided underframe and set of castors as alternative to the feet, can be fitted as optional on all work tables.
- 40 mm-thick lower shelf (available as optional accessory on some models) slots easily into place at a height of 200 mm from the floor. Lower shelf is compulsory to install the chest of drawers.

### Optional Accessories

- Lower shelf for 1800mm tables and sinks  PNC 855148
- Set of 4 wheels (2 with brake) d. 100mm for tables and sinks (total height on wheels= 993 mm)  PNC 855150
- 3-sided underframe for 1800mm tables  PNC 855155
- Single drawer GN 1/1, 400mm  PNC 855280
- Single drawer, 600mm  PNC 855281
- Additional drawer, 600mm (to set up a chest of 2, 3, 4 drawers)  PNC 855295
- Additional drawer GN 1/1, 400mm (to set up a chest of 2, 3, 4 drawers)  PNC 855298
- Single plastic drain syphon 1,5" for work tables with bowl  PNC 855306
- Mixer tap with spout, foot pedal operated for sinks on legs  PNC 855317
- Mixer tap with swivel spout 3/4", single hole  PNC 855319
- Elbow operated mixer tap with spout 3/4", single hole  PNC 855322
- Elbow operated mixer tap with short spout 3/4", single hole  PNC 855323
- Elbow operated tap with spray arm and spout, single hole  PNC 855324
- HD mixer tap with spray arm 3/4", single hole  PNC 855326

APPROVAL: \_\_\_\_\_



**Electrolux**

**Standard Preparation  
1800 mm Work Table with Upstand -  
Right Bowl**

- Foot operated mixer tap (hot and cold) PNC 855328  
with spout 3/4"

**Standard Preparation  
1800 mm Work Table with Upstand - Right Bowl**

The company reserves the right to make modifications to the products  
without prior notice. All information correct at time of printing.

2018.07.06



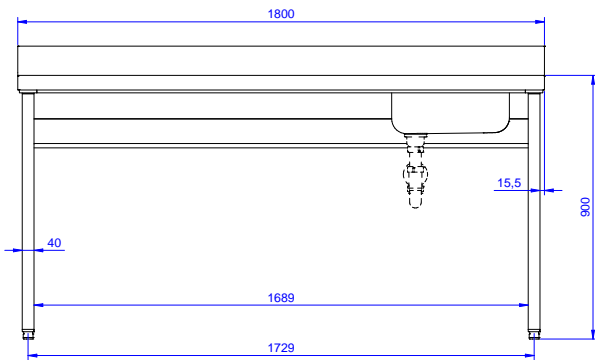
**Electrolux**

## Standard Preparation 1800 mm Work Table with Upstand - Right Bowl

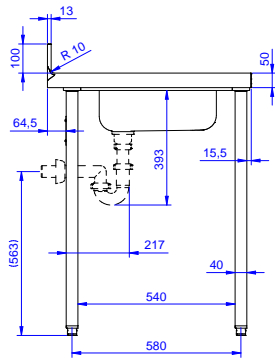
### Key Information:

External dimensions, Width:	
132763 (TL1810DXPN)	1800 mm
External dimensions, Height:	1000 mm
External dimensions, Depth:	700 mm
Upstand Dimensions, Height:	100 mm
Upstand Dimensions, Depth:	13 mm
Upstand Dimensions, Radius:	R=10
Bowls number	1
Bowl dimensions	400x400xH200
Worktop thickness:	50 mm

Front

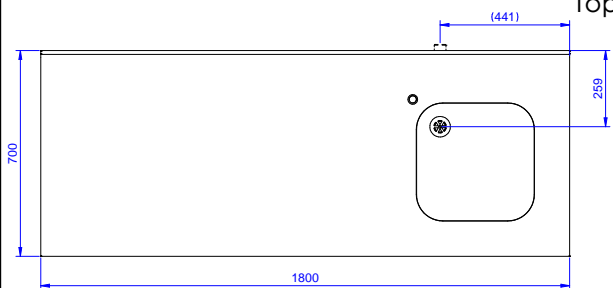


Side



D = Drain

Top



Standard Preparation  
1800 mm Work Table with Upstand - Right Bowl

The company reserves the right to make modifications to the products without prior notice. All information correct at time of printing.

2018.07.06