



Electrolux

Standard Preparation 1800 mm Work Table with Upstand - Left Bowl

ITEM # _____

MODEL # _____

NAME # _____

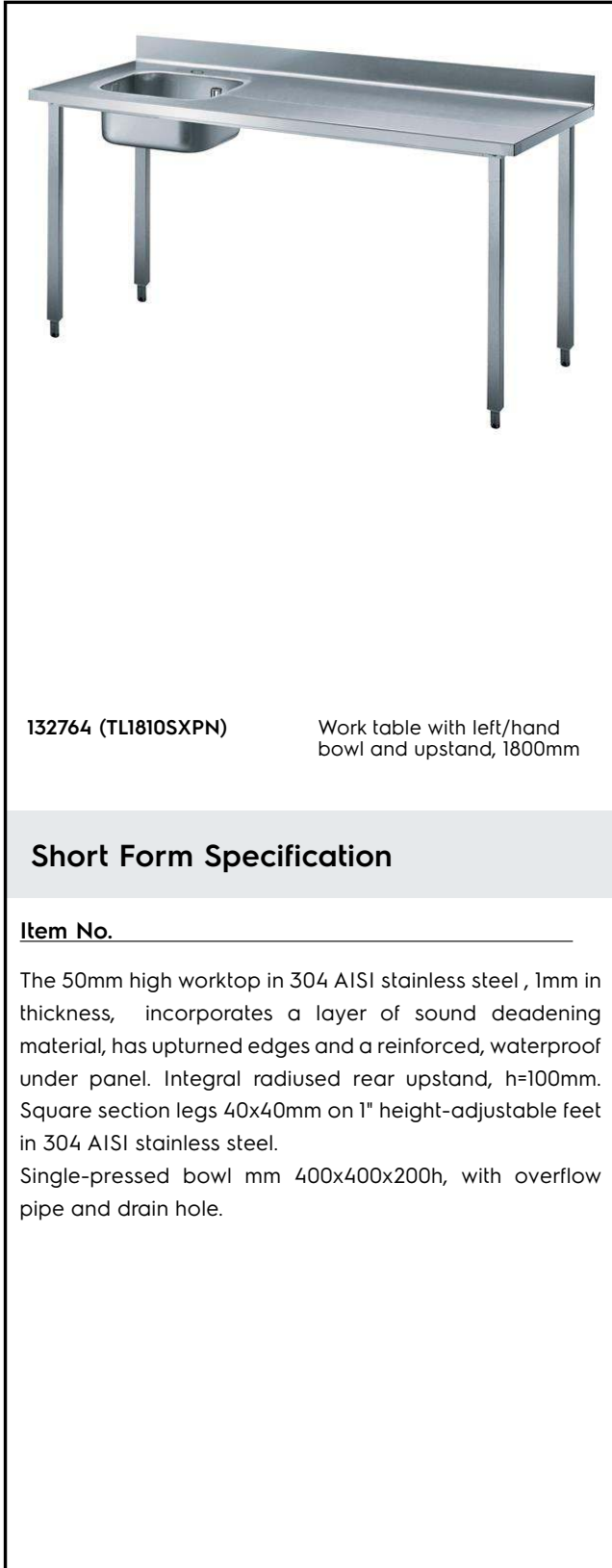
SIS # _____

AIA # _____



Electrolux

Standard Preparation
1800 mm Work Table with Upstand - Left Bowl



132764 (TL1810SXP)

Work table with left/hand bowl and upstand, 1800mm

Short Form Specification

Item No.

The 50mm high worktop in 304 AISI stainless steel, 1mm in thickness, incorporates a layer of sound deadening material, has upturned edges and a reinforced, waterproof under panel. Integral radiused rear upstand, h=100mm. Square section legs 40x40mm on 1" height-adjustable feet in 304 AISI stainless steel.

Single-pressed bowl mm 400x400x200h, with overflow pipe and drain hole.

Main Features

- The table can be ordered with the drawer of 400 mm or 600 mm (optional accessory): thanks to the design of the drawer, additional drawers can be added to the first single drawer to create chest of 2, 3 or 4 drawers based on customer's needs.
- Sturdiness, stability and reliability of table accurately tested.

Construction

- 50 mm worktop in 304 AISI stainless steel, 10/10 in thickness with upturned edges and reinforced waterproof underpanel, incorporates a layer of sound deadening materials.
- Square section legs and 40 mm height-adjustable feet in 304 AISI stainless steel.
- Single-pressed bowl (400 x 400 x 200 mm) with overflow pipe and drain hole.
- Table top slots into legs without using screws to facilitate installation.
- 400 or 600 mm wide single drawer, chest of 4 drawers, lower shelf, three-sided underframe and set of castors as alternative to the feet, can be fitted as optional on all work tables.
- 40 mm-thick lower shelf (available as optional accessory on some models) slots easily into place at a height of 200 mm from the floor. Lower shelf is compulsory to install the chest of drawers.

Optional Accessories

- Lower shelf for 1800mm tables and sinks PNC 855148
- Set of 4 wheels (2 with brake) d. 100mm for tables and sinks (total height on wheels= 993 mm) PNC 855150
- 3-sided underframe for 1800mm tables PNC 855155
- Single drawer GN 1/1, 400mm PNC 855280
- Single drawer, 600mm PNC 855281
- Additional drawer, 600mm (to set up a chest of 2, 3, 4 drawers) PNC 855295
- Additional drawer GN 1/1, 400mm (to set up a chest of 2, 3, 4 drawers) PNC 855298
- Single plastic drain syphon 1,5 " for work tables with bowl PNC 855306
- Mixer tap with spout, foot pedal operated for sinks on legs PNC 855317
- Mixer tap with swivel spout 3/4", single hole PNC 855319
- Elbow operated mixer tap with spout 3/4", single hole PNC 855322
- Elbow operated mixer tap with short spout 3/4", single hole PNC 855323
- Elbow operated tap with spray arm and spout, single hole PNC 855324

APPROVAL: _____



Electrolux

**Standard Preparation
1800 mm Work Table with Upstand -
Left Bowl**

- HD mixer tap with spray arm 3/4",
single hole PNC 855326
- Foot operated mixer tap (hot and
cold) with spout 3/4" PNC 855328

**Standard Preparation
1800 mm Work Table with Upstand - Left Bowl**

The company reserves the right to make modifications to the products
without prior notice. All information correct at time of printing.

2018.07.06



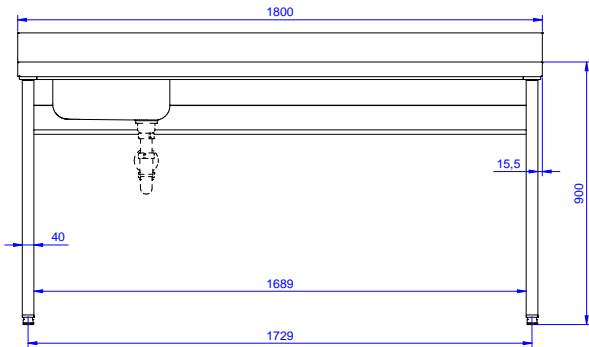
Electrolux

Standard Preparation 1800 mm Work Table with Upstand - Left Bowl

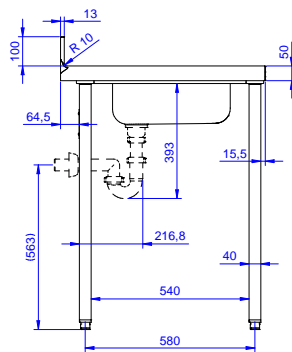
Key Information:

| | |
|------------------------------|--------------|
| External dimensions, Width: | |
| 132764 (TL1810SXP) | 1800 mm |
| External dimensions, Height: | 1000 mm |
| External dimensions, Depth: | 700 mm |
| Upstand Dimensions, Height: | 100 mm |
| Upstand Dimensions, Depth: | 13 mm |
| Upstand Dimensions, Radius: | R=10 |
| Bowls number | 1 |
| Bowl dimensions | 400x400xH200 |
| Worktop thickness: | 50 mm |

Front

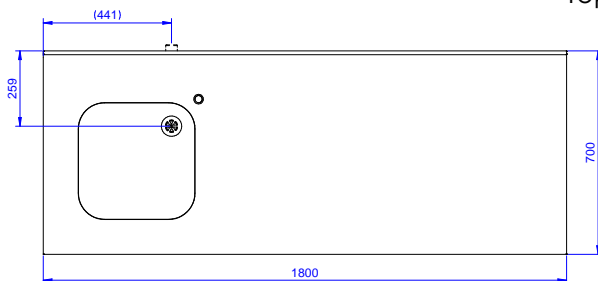


Side



D = Drain

Top



Standard Preparation
1800 mm Work Table with Upstand - Left Bowl

The company reserves the right to make modifications to the products without prior notice. All information correct at time of printing.

2018.07.06