



Electrolux

Salamander Cookers Jet Grill Gas Salamander, 850mm

ITEM # _____

MODEL # _____

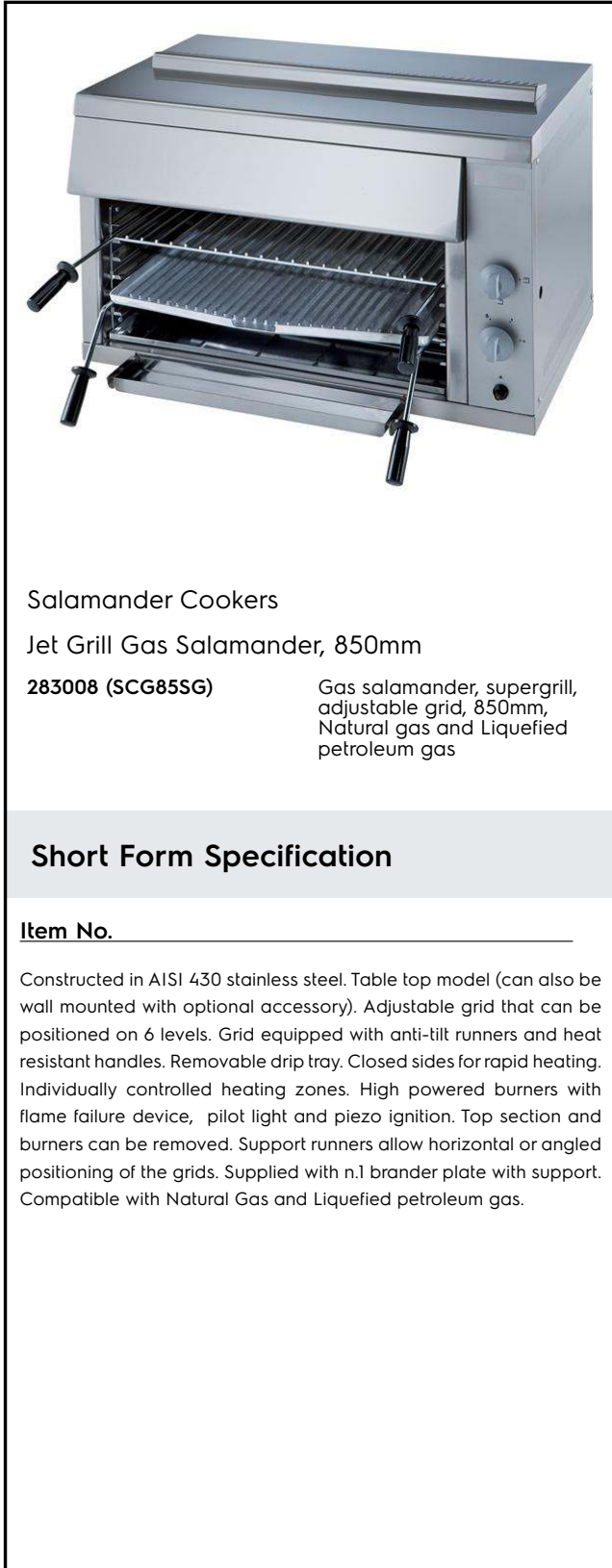
NAME # _____

SIS # _____

AIA # _____



Electrolux



Salamander Cookers

Jet Grill Gas Salamander, 850mm

283008 (SCG85SG)

Gas salamander, supergrill, adjustable grid, 850mm, Natural gas and Liquefied petroleum gas

Short Form Specification

Item No. _____

Constructed in AISI 430 stainless steel. Table top model (can also be wall mounted with optional accessory). Adjustable grid that can be positioned on 6 levels. Grid equipped with anti-tilt runners and heat resistant handles. Removable drip tray. Closed sides for rapid heating. Individually controlled heating zones. High powered burners with flame failure device, pilot light and piezo ignition. Top section and burners can be removed. Support runners allow horizontal or angled positioning of the grids. Supplied with n.1 brander plate with support. Compatible with Natural Gas and Liquefied petroleum gas.

Main Features

- Table top model.
- Grid equipped with anti-tilt runners and heat-resistant plastic handles.
- Closed sides for rapid heating and improved safety.
- Grid can be manually moved in 5 different levels.
- Removable cooking grid for grilling directly.
- Removable fat collection container.
- One couple of support runners allows horizontal or angled positioning of the grids.
- Compliant to CE requirements for safety.

Construction

- Entirely constructed in 430 AISI stainless steel.
- Equipped with n.1 cooking grid, n.1 brander plate with n.1 support; use with LPG or natural gas.
- High-power burners with dual controls ensuring pre-heat temperature (300°C) can be reached in 5 minutes.
- Separate temperature control of heating zones.
- Flue designed to minimize the escape of combustion gases during operation.
- Flame failure device, pilot light and piezo ignition, removable top section and burners.

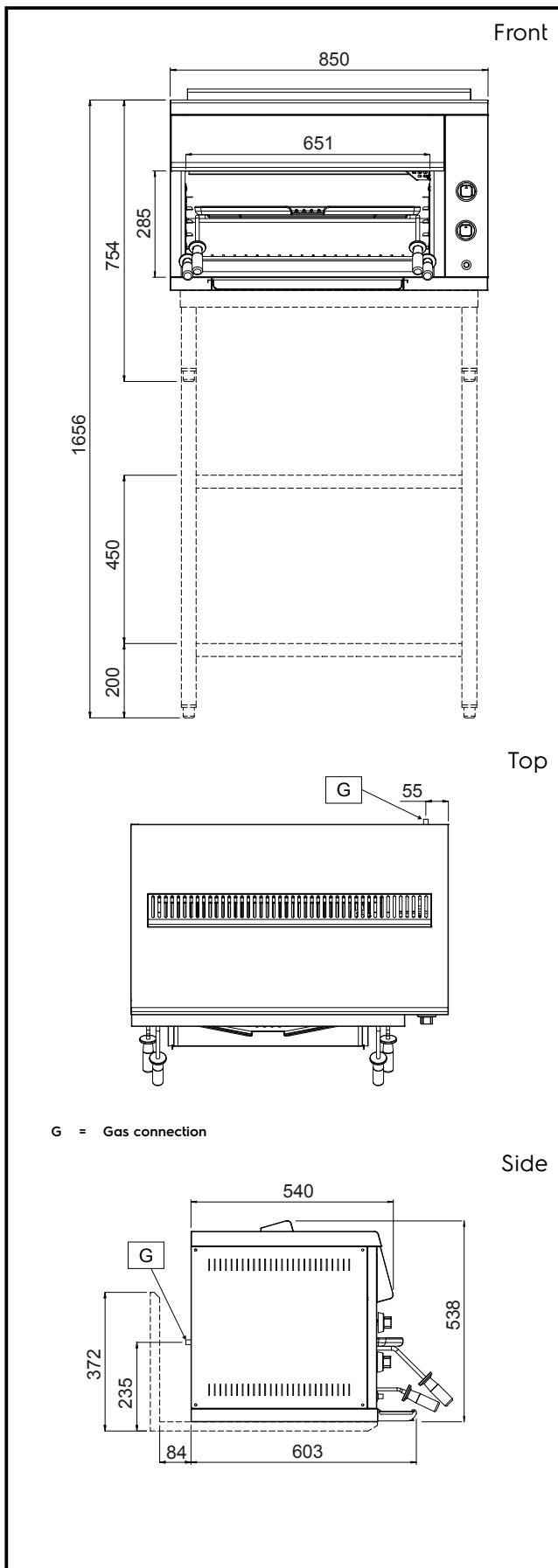
Included Accessories

- 1 of Salamander brander plate type PNC 283633 supergrill 800mm
- 1 of Brander plate-support type PNC 283634 supergrill 800mm

Optional Accessories

- Salamander brander plate type PNC 283633 supergrill 800mm
- Brander plate-support type PNC 283634 supergrill 800mm
- Wall brackets, 650x400mm PNC 283728
- Bench stand for multigrill & supergrill PNC 283729
- Floor stand for multigrill & supergrill PNC 283730

APPROVAL: _____



Installation:

Type of installation: Countertop; FS on feet; On base; Wall mounted

Key Information:

External dimensions, Height: 540 mm
 External dimensions, Width: 850 mm
 External dimensions, Depth: 540 mm
 Net weight: 50 kg
 N° of grid levels: 6