



Electrolux

Peelers Vegetable Peeler, 5kg with abrasive plate

ITEM # _____

MODEL # _____

NAME # _____

SIS # _____

AIA # _____



601218 (T5S)

Vegetable Peeler, 5kg with
abrasive plate -
220-240V/1/50

Short Form Specification

Item No. _____

Constructed in stainless steel with a transparent removable lid in special high resistant plastic. The removable rotating plate is covered with a special abrasive vitreous (lavastone) material guaranteeing a high quality finish to the peeled vegetables and a practically unlimited lifespan (knife plate available upon request). An interlocking safety magnetic devices will stop the machine from operating when the lid or door is opened. The electronic controls and motor have IP55 protection. Simple control panel with ON/OFF buttons and timer. Supplied with an abrasive plate.

Main Features

- Supplied with an abrasive plate as standard.
- Removable rotating plate covered in abrasive vitreous material (lava stone) to ensure high quality finish to peeled vegetables.
- Products downloading made easy thanks to the specific chute, activating manually the disc rotation to channel the product out of the peeling chamber.
- Magnetic detectors will stop the machine from operating when the lid and/or door are opened.
- Red OFF, green ON buttons and timer knob.
- Productivity suitable for 30-100 meals per service.

Construction

- Stainless steel construction with transparent lid in damage resistant plastic.
- IP55 waterproof control buttons.

Included Accessories

- 1 of Abrasive plate for 5 kg vegetable peeler (T5S) PNC 653182

Optional Accessories

- Washing plate for 5 kg vegetable peeler PNC 653057
- Abrasive plate for 5 kg vegetable peeler (T5S) PNC 653182
- Knife plate for 5 kg vegetable peeler (T5S) PNC 653183
- Filter table with sliding shelf PNC 653784

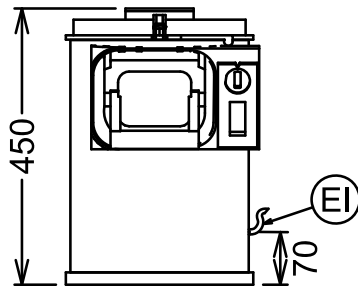
APPROVAL: _____



Electrolux

Peelers
Vegetable Peeler, 5kg with abrasive plate

Front



Electric

Supply voltage:

601218 (T5S) 220-240 V/1N ph/50/60 Hz

Capacity:

Performance (up to): 80 - kg/hour

Capacity: 5 kg

Key Information:

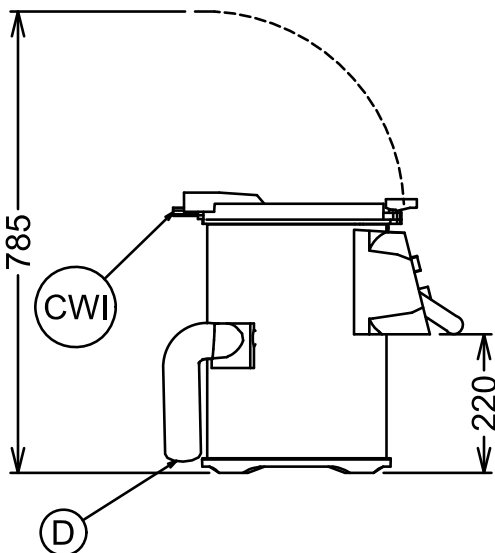
External dimensions, Width: 314 mm

External dimensions, Height: 450 mm

External dimensions, Depth: 485 mm

Shipping weight: 21 kg

Side



CWI = Cold Water inlet 1
 D = Drain
 EI = Electrical inlet (power)

Top

