



Electrolux

Libero Line Series Infrared, single zone

ITEM # _____

MODEL # _____

NAME # _____

SIS # _____

AIA # _____



Electrolux



601641 (DIH1)

Infrared, single zone -
230V/1/50-60

Short Form Specification

Item No. _____

Table top design. Heavy duty 304 AISI stainless steel construction. High impact, heavy duty glass ceramic cooking surface for durability and easy cleaning. Single infrared double spiral cooking zone (2,5kW) with touch button control. Smooth rounded edges guarantee a flush fit between units. Digital power level display and touch button control panel. IP24 protection. Cord and plug included.

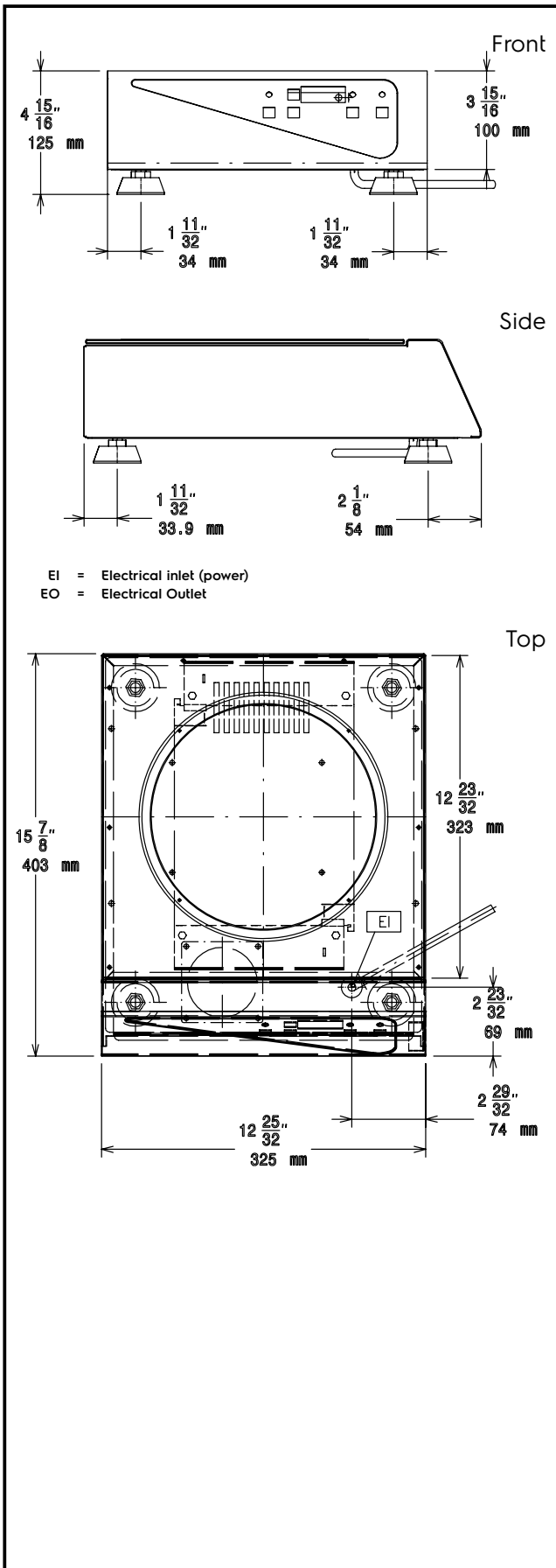
Main Features

- Table top design, single zone model.
- Heavy duty AISI 304 Stainless steel construction.
- Sealed heavy duty glass-ceramic cooking surface, 4 mm in thickness.
- Single infrared cooking zone with touch button control panel.
- Digital power level display (from 0 to 9).
- Precise temperature control that helps maintain and quickly reach the desired temperature.
- IP24 protected.
- Cord and plug included.
- 4 adjustable feet.
- Suitable for pot and pan with diameter of 140-250mm.

Optional Accessories

- Stainless steel universal frying pan with stainless steel handle (diam. 200mm) suitable for induction and all other heating sources PNC 653596
- Universal frying pan with stainless steel handle (diam. 240mm) suitable for induction and all other heating sources PNC 653597
- Universal frying pan with stainless steel handle (diam. 280mm) suitable for induction and all other heating sources PNC 653598
- Universal frying pan with smooth plate suitable for infrared cookers PNC 653615
- Universal frying pan with ribbed plate suitable for infrared cookers PNC 653616

APPROVAL: _____


Electric

Supply voltage:
601641 (DIH1)

220-240 V/1N ph/50/60 Hz

Key Information:

Back Plates Power: 2.5 - kW

External dimensions, Width: 325 mm

External dimensions, Height: 135 mm

External dimensions, Depth: 400 mm

Plug Type
1phase: Schuko; 3phase: CEE