



Electrolux

Peelers Vegetable Peeler, 10 kg - Knife Plate

ITEM # _____

MODEL # _____

NAME # _____

SIS # _____

AIA # _____



Electrolux



601834 (T10EK324)

Vegetable Peeler, 10 kg -
with knife plate -
200-240V/380-440V/3/50-60

Short Form Specification

Item No. _____

Constructed in stainless steel with a transparent lid in special high resistant plastic. The removable rotating plate is covered with a set of knives guaranteeing a sharp surface (like hand made peeling) to the peeled potatoes, perfect for frying. Flat and waterproof (IP55) control panel with programmable timer and low voltage level. An interlocking safety magnetic devices will stop the machine from operating when the lid or door is opened. Removable water jet device is fitted as standard to facilitate cleaning. Supplied with knife plate (Abrasive plate available upon request)

Main Features

- Peels are reduced to small pieces to facilitate drainage process.
- Transparent lid in damage-resistant plastic material allows visibility during peeling cycle.
- Removable water inlet, clipped to the cover, designed to serve as a spray to clean the machine.
- Timer with countdown display.
- Pulse function to control the unloading operation.
- Magnetic detectors will stop the machine from operating when the lid and/or door are opened.
- Suitable for 50-200 meals per service.
- Supplied with:
 - knife blade in stainless steel

Construction

- Complete stainless steel construction.
- IP55 waterproof touch button control panel.

Included Accessories

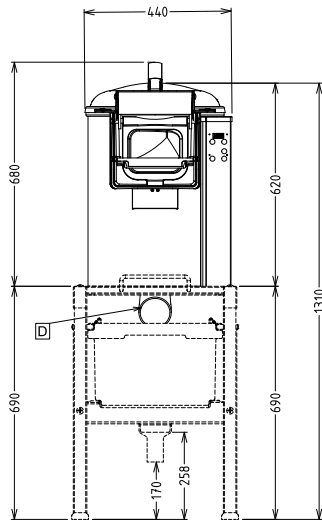
- 1 of Knife plate for 10 and 15 kg vegetable peelers (not for models with abrasive cylinder) PNC 653204

Optional Accessories

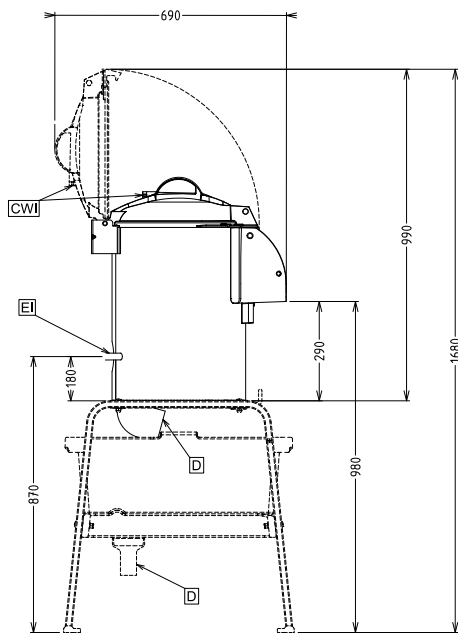
- Washing plate for T10 or T15 (not for models with abrasive cylinder) PNC 653058
- Abrasive plate for small onions, shallots and garlic T10 or T15, 388 mm diam.(not for models with abrasive cylinder) PNC 653184
- Abrasive plate for T10 or T15 PNC 653203
- Knife plate for 10 and 15 kg vegetable peelers (not for models with abrasive cylinder) PNC 653204
- Abrasive plate for large onions T10 and T15 (not for models with abrasive cylinder) PNC 653205
- Drying basket for T10 PNC 653208
- Stainless steel seashell plate for 10/15 kg vegetable peelers (not for models with abrasive cylinder) PNC 653620
- Filter table with sliding shelf, pre-assembled PNC 653783
- Filter table with sliding shelf PNC 653784

APPROVAL: _____

Front

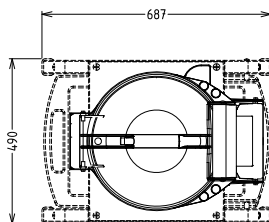


Side



- CWI = Cold Water inlet 1
- D = Drain
- EI = Electrical inlet (power)

Top



Electric

Supply voltage:

601834 (T10EK324)

Electrical power max.:

Total Watts:

200-240/380-440 V/3
ph/50/60 Hz

0.37 kW

0.37 kW

Capacity:

Performance (up to):

Capacity:

160 - kg/hour

10 kg

Key Information:

External dimensions, Width: 440 mm

External dimensions, Height: 680 mm

External dimensions, Depth: 690 mm

Shipping weight: 51 kg