



Electrolux

Standard Preparation 1600 mm Table with 3 Right Drawers, Upstand & Sliding Doors

ITEM # _____

MODEL # _____

NAME # _____

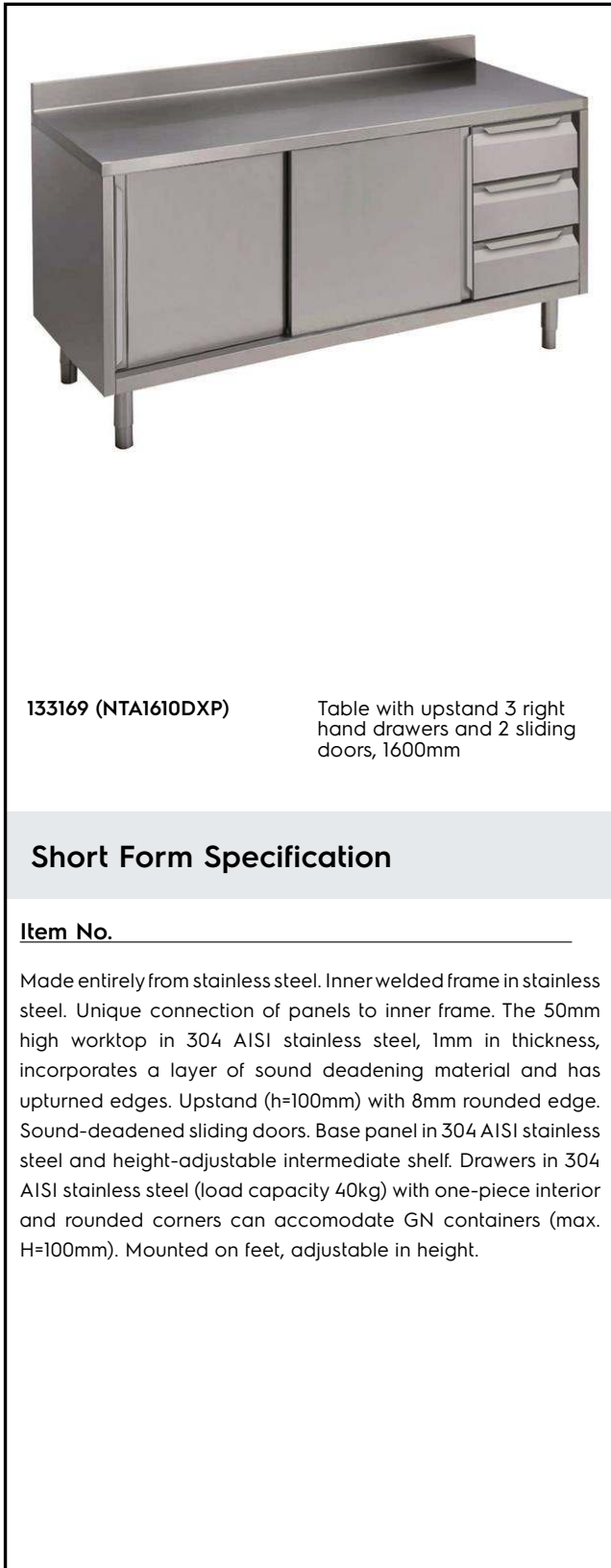
SIS # _____

AIA # _____



Electrolux

Standard Preparation
1600 mm Table with 3 Right Drawers, Upstand & Sliding Doors



133169 (NTA1610DXP)

Table with upstand 3 right hand drawers and 2 sliding doors, 1600mm

Short Form Specification

Item No. _____

Made entirely from stainless steel. Inner welded frame in stainless steel. Unique connection of panels to inner frame. The 50mm high worktop in 304 AISI stainless steel, 1mm in thickness, incorporates a layer of sound deadening material and has upturned edges. Upstand (h=100mm) with 8mm rounded edge. Sound-deadened sliding doors. Base panel in 304 AISI stainless steel and height-adjustable intermediate shelf. Drawers in 304 AISI stainless steel (load capacity 40kg) with one-piece interior and rounded corners can accommodate GN containers (max. H=100mm). Mounted on feet, adjustable in height.

Main Features

- Sturdiness, stability and reliability of table accurately tested.

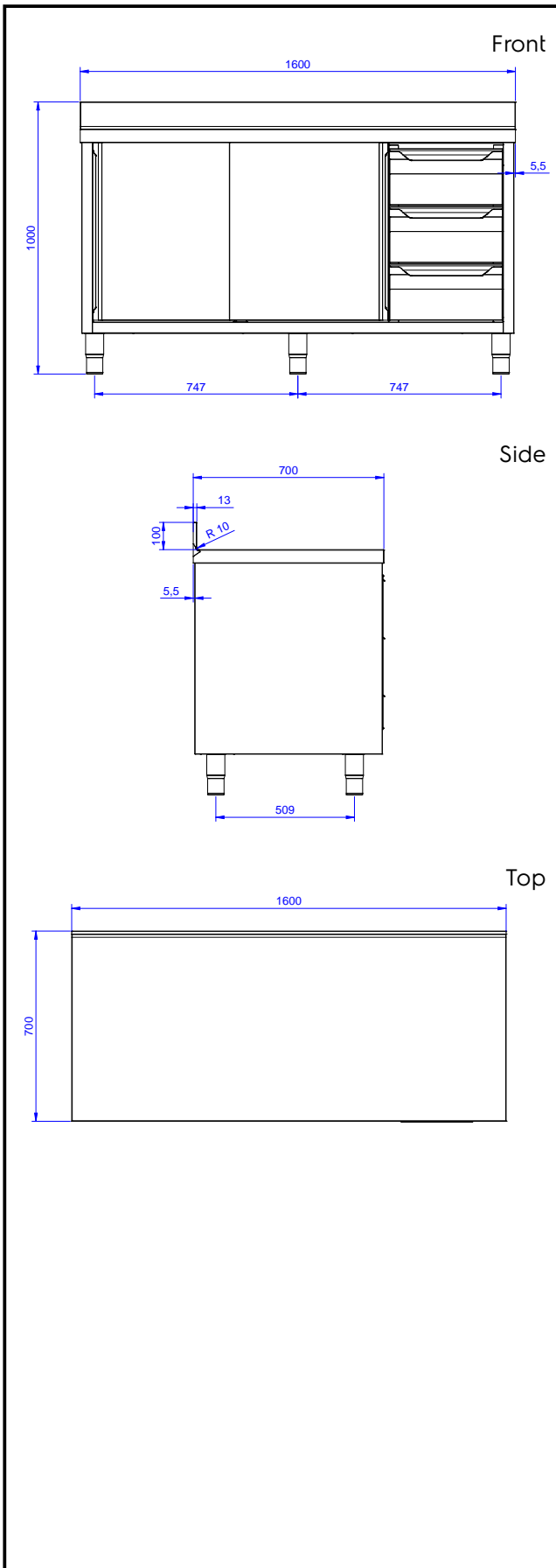
Construction

- Inner welded frame in stainless steel to guarantee superior strength and stability.
- Easy access to the cupboard interior on all lengths guaranteed by the use of only 2 doors.
- 50 mm worktop in 304 AISI stainless steel with upturned edges, incorporates an 18 mm layer of sound deadening material.
- Reinforced side and base panel in 304 AISI stainless steel.
- Equipped with intermediate shelf which can be positioned at three different heights.
- Sturdy sound-deadened sliding doors on tracks located flush to the front of the frame.
- Drawers in AISI 304 stainless steel with one-piece interior and rounded corners to facilitate cleaning and improve hygiene can hold GN containers with a maximum height of 100 mm. Maximum load capacity of 40 kg.
- 100 mm upstand with 8 mm radiused corner and 13 mm deep, designed to be used against a wall.
- Intermediate shelf in stainless steel with riveted corners and transversal reinforcement in stainless steel.
- Base panel has 40mm high profile, is 8/10 in thickness with upturned edges and bar reinforcement. It is welded to legs for further structure reinforcement.
- 304 AISI stainless steel feet, 150 mm high and 54 mm in diameter, adjustable by -35/+25 mm.

Optional Accessories

- Wheel kit for cupboards, 4 wheels (2 with brakes), D=1000 mm PNC 855299

APPROVAL: _____



Key Information:

Cabinet width:		
133169 (NTA1610DXP)	1100 mm	
Cabinet depth:	645 mm	
Cabinet height:	610 mm	
External dimensions, Width:	1600 mm	
External dimensions, Height:	1000 mm	
External dimensions, Depth:	700 mm	
Upstand Dimensions, Height:	100 mm	
Upstand Dimensions, Depth:	13 mm	
Upstand Dimensions, Radius:	R=10	
Number and type of doors:	2 Sliding	
Worktop thickness:	50 mm	
Net weight:	70 kg	