

Complementary products Stainless Steel 95lt Mobile Bin with Pedal and Opening Lid

ITEM # _____

MODEL # _____

NAME # _____

SIS # _____

AIA # _____



132927 (NCVR95)

Stainless steel 95-lt mobile waste bin with pedal opening lid

Short Form Specification

Item No. _____

Manufactured in stainless steel. Fitted with 2 handles.

Main Features

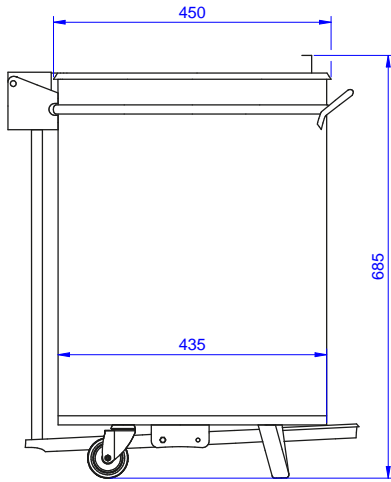
- Sturdiness, stability and reliability of table accurately tested.
- Ergonomic handles to facilitate handling.
- Equipped with one foot pedal.
- Equipped with 2 swivel castors Ø 65 mm and a solid floor to support the side of the foot pedal.
- 100lt capacity.

Construction

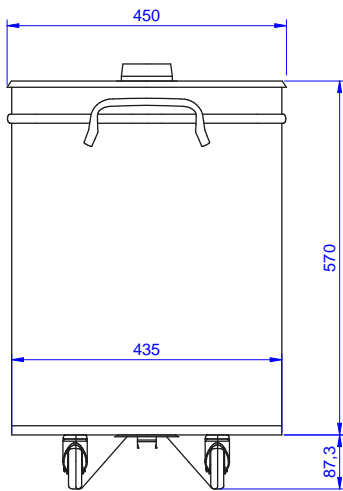
- Body entirely in stainless steel.
- Developed and produced in ISO 9001 and ISO 14001 certified factory.

APPROVAL: _____

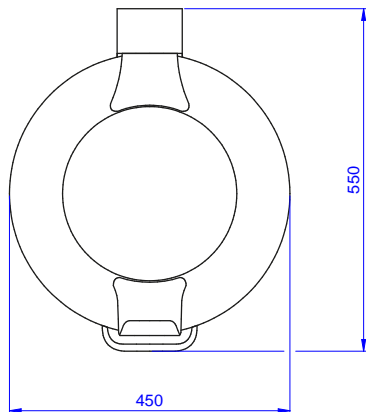
Front



Side



Top


Key Information:

External dimensions, Width:	
132927 (NCVR95)	450 mm
External dimensions, Height:	685 mm
External dimensions, Depth:	550 mm
Net weight:	17 kg