

## Standard Preparation Hand Wash Basin - Freestanding, Knee-operated with Waste Bin

ITEM # \_\_\_\_\_

MODEL # \_\_\_\_\_

NAME # \_\_\_\_\_

SIS # \_\_\_\_\_

AIA # \_\_\_\_\_


**132954 (NHWSB40)**

Free-standing hand wash basin with waste cabinet, knee-operated, 1 bowl, mixer spout and drain hole

### Short Form Specification

Item No. \_\_\_\_\_

Made from 304 AISI stainless steel. Integral radiused rear upstand, knee-operated. Waste cabinet with hinged door and handle incorporates a support frame for waste bags. Bowl mm340x365x155h with mixer spout and drain hole.

### Main Features

- Sturdiness, stability and reliability of table accurately tested.
- Easy to clean thanks to the rounded bowl and corners.
- Washbasin can be equipped with a wall panel plus paper and soap dispensers as optional extras.

### Construction

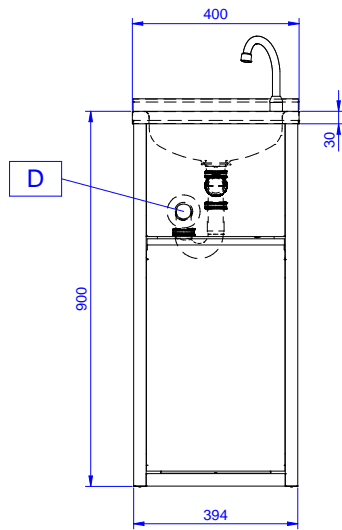
- Wide range of taps are available to suit every need.
- 100 mm upstand with 10 mm radiused corner and 13 mm deep, designed to be used against a wall.
- Mixer spout, ½" in diameter and drain hole supplied as standard.
- Constructed entirely in 18/10 stainless steel.
- Sound deadened pressed bowl with rounded corners and all-round lip to prevent overspill.
- Rear upstand 30 mm in height and 1.5 mm thick.
- Syphon included in the delivery.
- Equipped with a front cabinet to store waste.

### Optional Accessories

- Stainless steel fitting wall for hand wash sinks, includes napkin and liquid detergent dispenser accessories PNC 850406 □

APPROVAL: \_\_\_\_\_

Front


**Water:**
**Water drain outlet size:**

132954 (NHWSB40)      1"1/2

**Inlet water line size:**

1/2" / 1/2"

**Incoming Cold/hot Water line size:**

1/2"

**Key Information:**
**External dimensions, Width:** 400 mm

**External dimensions, Height:** 900 mm

**External dimensions, Depth:** 400 mm

**Upstand Dimensions, Height:** 30 mm

**Upstand Dimensions, Depth:** 1.5 mm

**Upstand Dimensions, Radius:** 90°

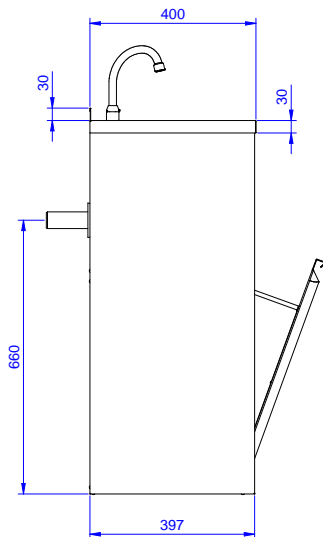
**Bowls number** 1

**Bowl dimensions** 340x365xH155

**Worktop thickness:** 30 mm

**Net weight:** 20 kg

Side

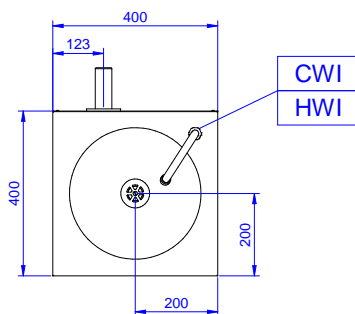


CWI1 = Cold Water inlet 1

D = Drain

HWI = Hot water inlet

Top



Standard Preparation  
Hand Wash Basin - Freestanding, Knee-operated with Waste Bin

The company reserves the right to make modifications to the products without prior notice. All information correct at time of printing.