

Vegetable Slicer

TR260 Vegetable Slicer - 2 Speed - with lever hopper on stand

ITEM # _____

MODEL # _____

NAME # _____

SIS # _____

AIA # _____


603281 (TR260FL2VS)

 Vegetable slicer, flat panel,
 2 speed on stand -
 380-415/3/50

Short Form Specification

Item No. _____

Universal vegetable slicer to serve 300 up to 1000 settings for table service and up to 4000 settings for catering service. 2 speeds (330/660 rpm). 2000W self-braking motor. Stainless steel motor housing and aluminium basement. "No volt release" safety device. Touch button control panel with on/off, speed selection and pulse function. Cutting disc diam. 300mm. Supplied with lever-operated hopper and mobile stainless steel support that incorporates a disc storage rack (discs not included). The touch button control panel has IP65 protection with low voltage level.

Main Features

- Continuous feed model.
- Large round (long vegetable) and large half moon feed hoppers.
- "No volt release" safety device.
- Delivered with:
 - Lever operated hopper and a mobile stainless steel support that incorporates a disc storage rack (discs not included)
- Complete selection of blades and dicing grids available (diameter 300 mm).
- Magnetic safety system and motor brake. Prevents machine from running when lever swings away or is open.
- Vegetable slicer unit has slicing, grating, shredding (julienne) as well as dicing and french fries capabilities.
- Available as option a long vegetable accessory to fit in the lever operated hopper converting it into a long vegetable hopper (3 cylindrical hoppers: 50, 59,5, 70 mm diameter)
- Available upon request:
 - Automatic cylindrical hopper (dia=280 mm), long vegetable hopper (3 tubes) and cabbage hopper.

Construction

- Power: 2000 watts.
- 2 speed: 330-660 rpm.
- Stainless steel motor housing with aluminum basement and hoppers.

Included Accessories

- 1 of Feed tray to be combined with cabbage hopper and long vegetable hopper PNC 650036
- 1 of Stainless steel mobile stand. Height: 730 mm PNC 653017
- 1 of Lever-operated hopper for TR260 (including feed tray) PNC 653036
- 1 of Stainless steel disc rack for 300 dia. discs PNC 653212

Optional Accessories

- Feed tray to be combined with cabbage hopper and long vegetable hopper PNC 650036
- Stainless steel grating disc for parmesan (dia. 300 mm) PNC 650148
- Stainless steel grating disc for knoedeln (dia. 300 mm) PNC 650149
- Stainless steel grating disc 2 mm (dia. 300 mm) PNC 650150
- Stainless steel grating disc 3 mm (dia. 300 mm) PNC 650151
- Stainless steel grating disc 4 mm (dia. 300 mm) PNC 650152
- Stainless steel grating disc 7 mm (dia. 300 mm) PNC 650153
- Stainless steel grating disc 9 mm (dia. 300 mm) PNC 650154

APPROVAL: _____



Electrolux
PROFESSIONAL

Vegetable Slicer TR260 Vegetable Slicer - 2 Speed - with lever hopper on stand

- Stainless steel cabbage grating disc with central shaft for stem removal 7 mm - to be combined with cabbage hopper PNC 650157
- Cabbage slicing disc with central shaft for stem removal 1mm (to be used with cabbage feed hopper) PNC 653009
- Stainless steel mobile stand. Height: 730 mm PNC 653017
- Lever-operated hopper for TR260 (including feed tray) PNC 653036
- Automatic feed hopper for TR260 PNC 653037
- Cabbage hopper for TR260 PNC 653048
- Dicing grid 10 mm for TR260 PNC 653051
- Dicing grid 16 mm for TR260 PNC 653052
- Dicing grid 20 mm for TR260 PNC 653053
- Dicing grid 25 mm for TR260 PNC 653054
- Dicing grid 32 mm for TR260 PNC 653055
- Slicing disc 2 mm (dia. 300 mm) PNC 653172
- Slicing disc 3 mm (dia. 300 mm) PNC 653173
- Slicing disc 1 mm (dia. 300 mm) PNC 653188
- Slicing disc 5 mm (dia. 300 mm) PNC 653189
- Slicing disc 6 mm (dia. 300 mm) PNC 653190
- Slicing disc 8 mm (dia. 300 mm) PNC 653191
- Slicing disc 10 mm (dia. 300 mm) PNC 653192
- Slicing disc 16 mm (dia. 300 mm) PNC 653193
- Shredding disc 2x2 mm (dia. 300 mm) PNC 653195
- Shredding disc 3x3 mm (dia. 300 mm) PNC 653196
- Shredding disc 4x4 mm (dia. 300 mm) PNC 653197
- Shredding disc 6x6 mm (can also be used for chips - dia. 300 mm) PNC 653198
- Shredding disc 8x8 mm (can also be used for chips - dia. 300 mm) PNC 653199
- Shredding disc 10x10 mm (can also be used for chips - dia. 300 mm) PNC 653200
- Stainless steel disc rack for 300 dia. discs PNC 653212
- Disc with corrugated blades 2 mm (dia. 300 mm) PNC 653217
- Disc with corrugated blades 3 mm (dia. 300 mm) PNC 653218
- Disc with corrugated blades 6 mm (dia. 300 mm) PNC 653219
- Long vegetable accessory for TR260 lever-operated hopper (to change the lever-operated hopper into long vegetable hopper) PNC 653223
- Stainless steel trolley for 2/1GN trays (GN tray not included) PNC 653224
- Cabbage slicing disc with central shaft for stem removal 2 mm (to be used with cabbage feed hopper) PNC 653227
- Cabbage slicing disc with central shaft for stem removal 3 mm (to be used with cabbage feed hopper) PNC 653228
- Dicing grid 12 mm for TR260 PNC 653301

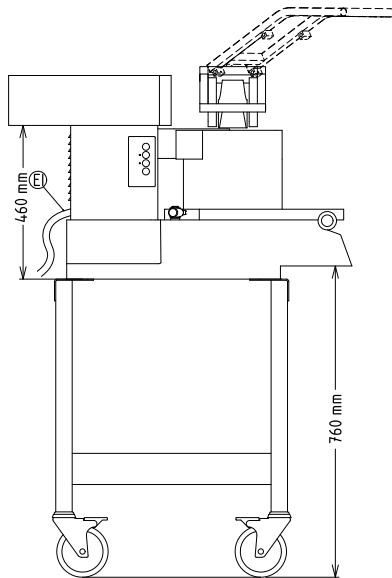


Vegetable Slicer
TR260 Vegetable Slicer - 2 Speed - with lever hopper on stand

The company reserves the right to make modifications to the products without prior notice. All information correct at time of printing.

2020.03.04

Front


Electric
Supply voltage:

603281 (TR260FL2VS) 380-415 V/3 ph/50 Hz

Electrical power max.:

2 kW

Total Watts:

2 kW

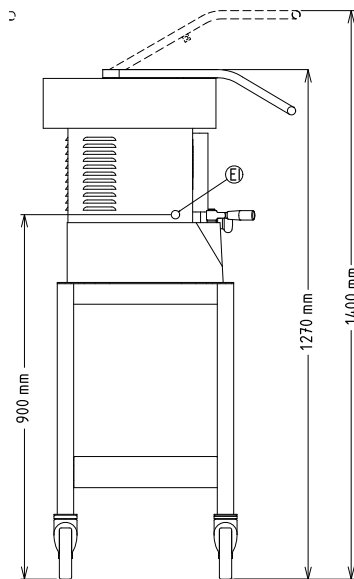
Capacity:
Performance (up to): 700 - kg/hour

Key Information:
External dimensions, Width: 610 mm

External dimensions, Height: 1400 mm

External dimensions, Depth: 830 mm

Side



EI = Electrical inlet (power)

Top

