



PROFESSIONAL LAUNDRY



PROFESSIONAL WASHERS HIGH SPIN LAP-08/10 TP2

CHARACTERISTICS

OUTSTANDING FEATURES

- High G FACTOR of 450.
- User-friendly and totally programmable TP2 microprocessor with a 4,3" touch screen
- 8 dosing signals as standard.
- 2 water inlets
- Wet cleaning standard with the TP2
- Short washing cycles (Heating Power 6 kW)

CONNECTIVITY

- IoT - FagorKonnnect standard.
- Management of laundries: OPL and COIN
- Remote payment

EFFICIENCY

- Water saving: automatic adjustment of water and chemicals.
- Optimal loading: manual indication of the loading weight.

VERSATILITY

- OPL < > COIN.
- ELECTRIC < > HOT WATER.
- PUMP < > DRAIN VALVE.
- SINGLE < > STACKED.
- USB Connection. Online platform free of charge for programming, telemetry, data analysis...thanks to the IoT
- Wet cleaning features ready
- Suitable for many sectors: restaurants, gyms, campings, mop cleaning, apartments, coin laundries, dry cleaners, nurseries...

ROBUSTNESS

- Outer casing in grey skinplate.
- Robust aluminium door.
- AISI-304 stainless steel inner/outer drum and ribs.
- No inner drum seal (muffle), easy to repair/clean.

- Industrial house bearing and bearings (Up to 20.000 working cycles) and possibility to replace bearings.
- Same motor and inverter as LA industrial washers.
- Industrial and heavy duty doorlock.

OTHERS

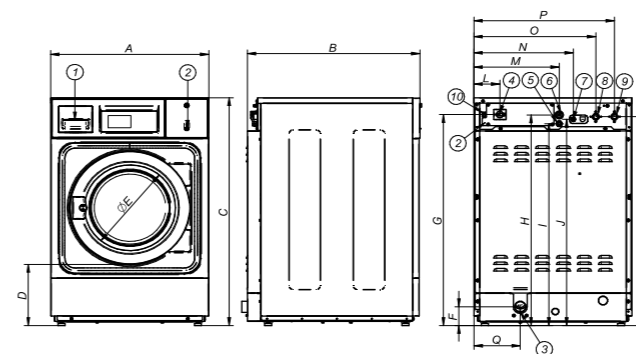
- Free standing washers. (leveling feet included)
- Detergent dispenser with 4 compartments.
- Frequency inverter to control imbalances.
- CE and WRAS approved product.

OPTIONS

- Dosing pump kit DQ-2
- Extra dosage pump DB-1. Extra individual pumps
- Double drain
- Drain-pump kit
- Silicon gasket
- Reversible door opening
- Tropicalized model: protected board
- Top soapbox for HPW
- Relay card with 6 extra dosing signals: up to 14 signals
- Normally closed drain valve
- Plinth for better ergonomics
- Plinth for mops, with filter (only valve models)
- Plinth for water recovery (tank included)
- Stainless steel AISI 304 outer casing
- Auto unlock kit for the door (in case of power failure)
- Order in complete container + compact packing
- Maritime voltage for electric models: 440V III 50/60 Hz No neutral
- Coin/token kit

TECHNICAL DATA PROFESSIONAL WASHERS | HIGH SPIN | LAP-08/10 TP2

	UNIT.	LAP-08 TP2 V	LAP-08 TP2 P	LAP-10 TP2 V	LAP-10 TP2 P				
DRUM									
Load capacity 1:9 / 1:10	Kg	9/8	9/8	11/10	11/10				
Volume	l	80	80	100	100				
Diameter	mm	532	532	532	532				
Depth	mm	360	360	425	425				
GENERAL DETAILS									
Washing speed / Spinning speed	r.p.m.	50/ 1.250	50/ 1.250	50/ 1.250	50/ 1.250				
G Factor	-	450	450	450	450				
Maximum force transmitted	KN	1,47 ± 0,53	1,47 ± 0,53	1,57 ± 0,53	1,57 ± 0,53				
Frequency-dynamic force	Hz	18,33	18,33	18,33	18,33				
Coin laundry version	-	Yes	Yes	Yes	Yes				
Double drain	-	Opt	No	Opt	No				
Noise level	dB	<70	<70	<70	<70				
Weighing / Tilting system	-	No/No	No/No	No/No	No/No				
DOOR									
Height center door / base door	mm	537/280	537/280	537/280	537/280				
Diameter	mm	373	373	373	373				
POWER									
Motor	kW	0,75	0,75	0,75	0,75				
Electric heating power	kW	6	6	6	6				
Total electric power (elec)	kW	6,25	6,25	6,25	6,25				
Total electric power (hot water)	kW	0,75	0,75	0,75	0,75				
CONNECTIONS									
Tension 230V I+N+T 50/60Hz	Nº x mm2/A	2x4+T 32A	2x1,5+T 16A	2x4+T 32A	2x1,5+T 16A	2x4+T 32A	2x1,5+T 16A	2x4+T 32A	2x1,5+T 16A
Tension 230V III+T 50/60Hz	Nº x mm2/A	3x2,5+T 20A	-	3x2,5+T 20A	-	3x2,5+T 20A	-	3x2,5+T 20A	-
Tension 400V III+N+T 50/60Hz	Nº x mm2/A	4x1,5+T 16A	-	4x1,5+T 16A	-	4x1,5 20A	-	4x1,5 - 16A	-
Water inlet	BSP	3/4"	3/4"	3/4"	3/4"	3/4"	3/4"	3/4"	3/4"
Drain	BSP	2"		1" (Pump)		2"		1" (Pump)	
DIMENSIONS / PACKING DIMENSIONS									
Width / width	mm	680/710	680/710	680/710	680/710				
Depth / depth	mm	698/832	698/832	742/832	742/832				
Height / height	mm	1.040/1.130	1.040/1.130	1.040/1.130	1.040/1.130				
Net weight / Gross weight	kg	140/150	140/150	150/160	150/160				
Volume	m3	0,67	0,67	0,67	0,67				



1. SOAP DISPENSER
2. USB PORT
3. DRAIN *
4. MAIN SWITCH
5. ELECTRIC CONNECTION TO LIQUID SOAP PUMPS
6. ELECTRICAL CONNECTION
7. LIQUID SOAP CONNECTION
8. COLD WATER INLET
9. HOT WATER INLET
10. ETHERNET PORT

	A	B	C	D	E	F	G	H	I	J	K	L	M	N	O	P	Q
LAP-08 TP2 V	680	698	1.040	278	373	86	964	962	922	942	954	110	366	427	524	603	199
LAP-08 TP2 P	680	698	1.040	278	373	86	964	962	922	942	954	110	366	427	524	603	199
LAP-10 TP2 V	680	742	1.040	278	373	86	964	962	922	942	954	110	366	427	524	603	199
LAP-10 TP2 P	680	742	1.040	278	373	86	964	962	922	942	954	110	366	427	524	603	199